

Roundstock grab model TRU

Capacity 100 - 4000 kg

The TRU roundstock grab picks up roundstock and pipe material up to 600 mm in diameter quickly and safely. With its optional protective lining, it can also pick up materials with sensitive surfaces.



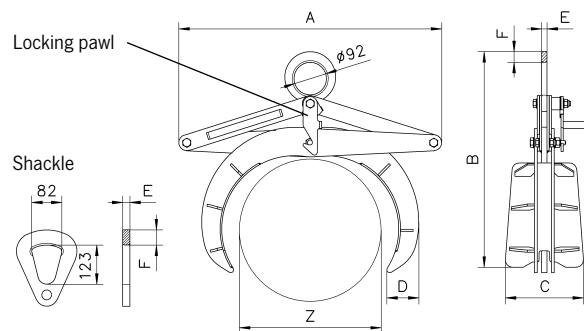
When using protective lining, it is important that the surfaces are dry, clean and free of oil and grease.

Technical data model TRU

Model	EAN-No. 4025092*	EAN-No. 4025092* with protective lining	Capacity kg	Jaw capacity Z mm	Weight kg
TRU 0.1/150	*550918	*551632	100	50 - 150	3.9
TRU 0.5/200	*550475	*551151	500	35 - 200	13.6
TRU 1.0/200	*550949	*552165	1000	35 - 200	13.6
TRU 1.5/300	*550505	*550512	1500	80 - 300	27.0
TRU 3.0/300	*550758	*550536	3000	80 - 300	49.0
TRU 4.0/600	*551526	*550406	4000	200 - 600	204.0

Dimensions model TRU

Model	TRU 0.1/150	TRU 0.5/200	TRU 1.0/200	TRU 1.5/300	TRU 3.0/300	TRU 4.0/600
A, mm	270	503	509	720	740	1420
Bmin., mm	292	417	437	520	582	930
Bmax., mm	458	723	745	937	960	1815
C, mm	97	150	178	204	220	318
D, mm	43	56	82	84	125	205
E, mm	8	15	15	20	20	30
F, mm	17	17	30	25	30	35



Model TRU, shackle for grabs for 2 t and up capacity. Locking pawl locks open grab in place.