

## Technical data model BETA SILVERLINE

Art.-No. Direct control	Art.-No. Contactor control	Size	Capacity 1 <sup>st</sup> layer kg	Capacity top layer kg	Lifting speed 1 <sup>st</sup> layer m/min	Lifting speed top layer m/min	Rope diameter* mm	Motor kW	Classification FEM/ISO	Useable rope length 1 <sup>st</sup> layer m	Useable rope length top layer m	Weight without rope kg
031140004	-	Mini	125	85	4.7	7.3	4	0.25	1Bm/M3	7	46.7	22
031140000	-	Mini	250	170	2.5	3.9	4	0.25	1Bm/M3	7	46.7	25
031140001	031140006	Mini	250	170	4.7	7.3	4	0.37	1Bm/M3	7	46.7	25
031140005**	031140015**	Mini	250	170	3.7	5.7	4	0.55	1Bm/M3	7	46.7	25
031148065	031149065	Size 1	500	348	3.5	5.5	6	0.37	1Am/M4	8.4	58.5	65
041148077	031149077	Size 1	500	348	8.5	12.6	6	0.75	1Am/M4	8.4	58.5	65
031148129	-	Size 1	630	400	6.8	11.0	6	0.75	1Bm/M3	6.7	48.9	60
031148254	031149254	Size 2	980	697	3.4	4.9	9	0.75	1Am/M4	11	77.5	114
041148259	031149259	Size 2	980	697	7.5	10.8	9	1.1	1Am/M4	11	77.5	120
-	031149302	Size 2	1250	814	5.9	9.2	9	1.1	1Bm/M3	8.7	64.1	125
-	031149438	Size 3	1600	1115	3.9	5.7	12	1.1	1Am/M4	12.1	87.8	204
-	031149441	Size 3	1600	1115	8.5	12.5	12	2.2	1Am/M4	12.1	87.8	210
-	031149533	Size 3.5	3200	2354	6.0	8.3	14	3	1Am/M4	11.4	64.5	224

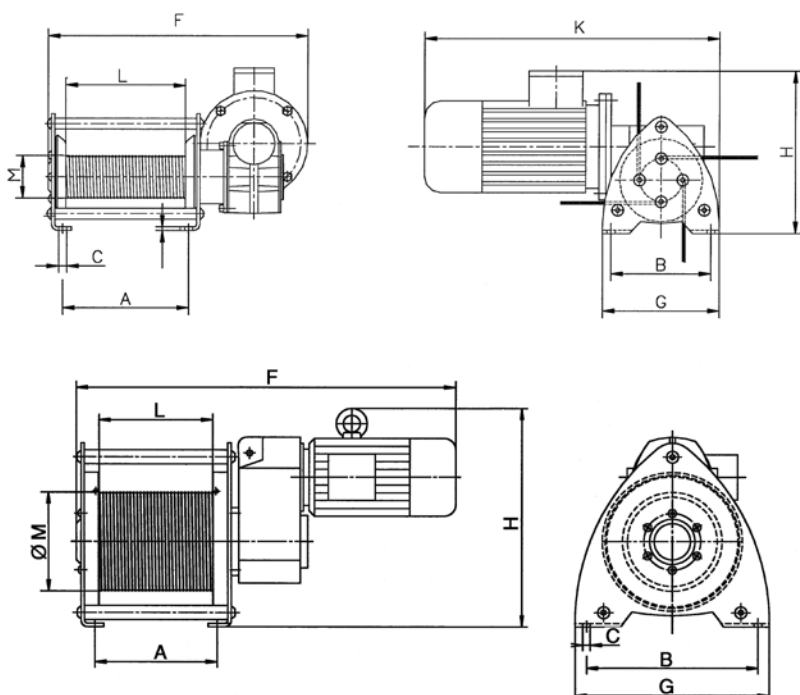
\*recommended rope: DIN 3069 FE-znk 1960 sZ-spa

\*\*A.C. motor drive 230V

## Dimensions model BETA SILVERLINE

Art.-No. Direct	031140004	031140000	031140001	031140005*	031148065	041148077	031148129	031148254	041148259	-	-	-	-
Art.-No. Contactor	-	-	031140006	031140015*	031149065	031149077	-	031149254	031149259	031149302	031149438	031149441	031149533
A, mm	185	185	185	185	215	215	215	270	270	270	320	320	320
B, mm	170	170	170	170	300	300	300	400	400	400	510	510	510
Ø C, mm	12	12	12	12	13,5	13,5	13,5	18	18	18	22	22	22
F, mm	379	389	389	389	710	746	731	852	912	907	1014	1073	1101
G, mm	200	200	200	200	200	340	200	200	465	200	200	570	200
H, mm	222	241	241	241	333	319	343	490	487	490	614	599	684
K, mm	422	432	432	-	-	-	-	-	-	-	-	-	-
L, mm	180	180	180	180	200	200	200	250	250	250	300	300	300
Ø M, mm	64	64	64	64	108	108	86	175	175	138	218	218	242

\*A.C. motor drive 230V



**Pfaff winches are not designed for passenger elevation applications and must not be used for this purpose.**