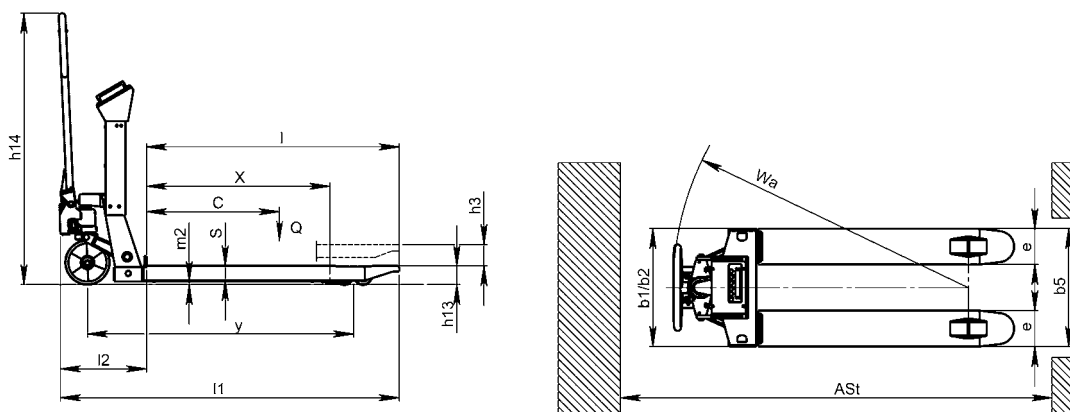


## Technical data model HU PW 25 T PROLINE

Model	HU PW 25 T	HU PW 25 TR - 83plus with printer
Art.-No.	21220600	21220601
Capacity Q, kg	2500	2500
Load center c, mm	600	600
Load distance x, mm	850	850
Wheelbase y, mm	1205	1205
Weight, kg	145	145
Tyre type**	PUR/PA	PUR/PA
Steering rollers, mm	194x50	194x50
Load rollers, mm	80x63	80x63
Number of wheels/load rollers	2/4	2/4
Stroke h3, mm	115	115
Height of control handle max. h14, mm	1230	1230
Fork height lowered h13, mm	85	85
Overall length l1, mm	1525	1525
Length incl. apron l2, mm	375	375
Overall width b1/b2, mm	535	535
Fork height s, mm	60	60
Fork width e, mm	165	165
Fork length l, mm	1140	1140
Outside dimension of forks b5, mm	535	535
Ground clearance, wheelbase centre m2, mm	20	20
Aisle width pallet Ast, mm	1832	1832
Turning circle radius Wa, mm	1367	1367

\*\*PA ... Polyamide, PUR... Polyurethane



LED-display 83plus



Option:  
with printer