

JDN MONORAIL AIR HOISTS

Carrying capacities:
10t up to 115t per unit

JDN Monorail Hoists are available with air or hydraulic drive for the offshore industry, or wherever heavy loads have to be moved in reduced spaces. Depending on the application **JDN Monorail Hoists** can be used in tandem.

For example: Working in parallel for handling BOP handling systems.

Working in tandem and connected by a tie bar for handling grinding rollers in the cement industry.

STANDARD FEATURES

- Ideally suited for working in hazardous areas (explosion risk).
- Insensitive to humidity, dust and temperatures from -20°C up to +70°C.
- Low headroom, compact design.
- Low air consumption.
- World wide service.

TECHNICAL DETAILS

- Instant starting vane motor requiring low maintenance
- Fail safe Disc brake immediately holds load safely in the event of interruption of air supply
- All gearbox components made of tempered or hardened high-grade steels
- Anti-climb and anti-drop devices
- Lateral guiding plates
- Pendant Control unit with emergency shut-off valve

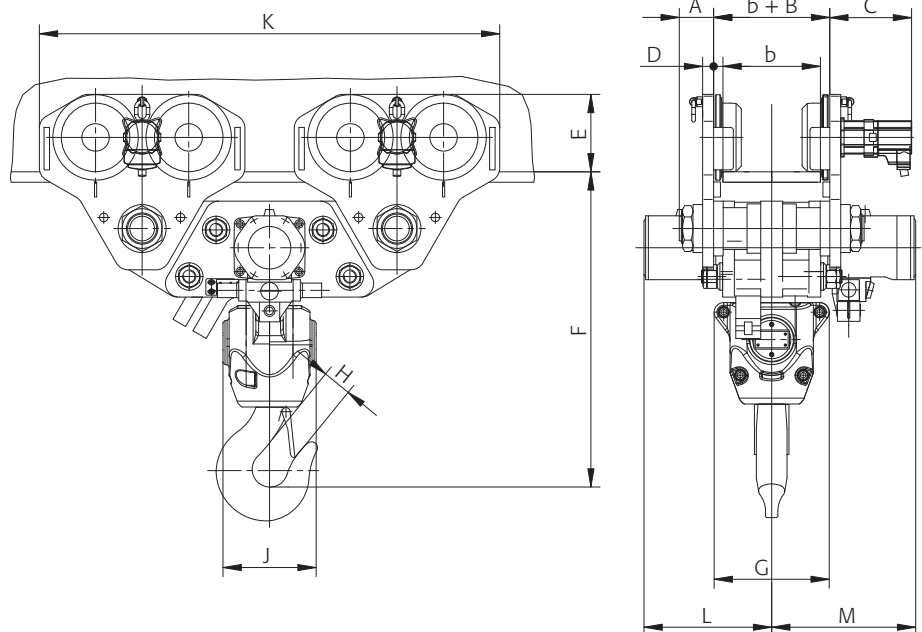
ACCESSORIES

- Increased spark protection
- Rack and pinion drive
- Overload protection
- Two speed trolley travel control
- Filter silencer

Third party acceptance by DNV, ABS or Lloyds Register of shipping etc, available on request.

SPECIAL EXECUTIONS

If you cannot find the correct hoisting system to suit your application in our standard programme then Non standard designs to suit your particular application are our speciality.



DIMENSIONS

Type		EH 10	EH 16	EH 20	EH 25	EH 37	EH 50	EH 75	EH 100
A max.	inch. mm	4.1 105	5.1 130	5.1 130	5.8 146	3.9 100	4.9 125	3.9 100	4.9 125
B	inch. mm	2.8 70	2.7 68	2.7 68	2.8 70	2.7 68	2.7 68	2.7 68	2.7 68
C	inch. mm	11.2 285	11.6 295	11.6 295	11.2 285	11.6 295	11.8 300	11.6 295	11.8 300
D	inch. mm	0.9 25	1.4 35	1.4 35	1.0 25	1.4 35	1.6 40	1.4 35	1.6 40
E	inch. mm	7.8 198	8.7 220	8.7 220	7.8 198	8.7 220	11.1 283	8.7 220	11.1 283
F*	inch. mm	27.8 705	29.5 750	32.3 820	39.3 998	42.1 1070	45.3 1150	58.3 1480	60.4 1535
G	inch. mm	5.4 138	8.4 213	7.9 200	6.7 170	7.5 190	16.5 420	11.3 286	22.6 575
H	inch. mm	1.7 44	2 53	3 75	3 75	3.9 100	3.9 100	4.7 120	4.7 120
J	inch. mm	7.6 192	7.3 185	10.5 266	13.8 350	17.9 455	13.4 340	29.1 740	18.5 470
K	inch. mm	22.8 580	23.6 600	23.6 600	46.7 1185	68.1 1730	66.1 1680	126.1 3210	123.2 3130
L	inch. mm	12.1 308	14.5 367	14.5 367	14.8 377	14.8 377	18.2 462	25.2 640	30 762
M	inch. mm	10.5 266	12.8 325	12.8 325	17.1 435	17.1 435	22.1 560	25.8 655	29.5 750

*Chain containers increase the hoist headroom





EH 20



EH 50



EH 100

TECHNICAL DATA

Type		EH 10	EH 16	EH 20	EH 25	EH 37	EH 50	EH 75	EH 100
Carrying capacity	mt	10	16	20	25	37.5	50	75	100
Number of chain strands		2	3	4	2	3	4	3	4
Motor output Trolley	kW	0.7	0.7	0.7	1.4	1.4	1.4	2.8	2.8
Motor output Hoist	kW	3.5	3.5	3.5	6	6	6	10	10
Air pressure	PSI	85	85	85	85	85	85	85	85
	bar	6	6	6	6	6	6	6	6
Lifting speed at full load	ft/m	5.3	3.3	2.3	3.6	2.1	1.6	1.5	1.2
	m/min	1.6	1	0.7	1.1	0.6	0.5	0.5	0.4
Lifting speed without load	ft/m	10.5	6.6	4.6	7.6	5.3	3.6	2.8	2.1
	m/min	3.2	2	1.4	2.3	1.6	1.1	0.6	0.7
Lowering speed at full load	ft/m	11.2	6.9	5.3	6.2	4.9	3	3.3	2.5
	m/min	3.4	2.1	1.6	1.9	1.5	0.9	1.0	0.8
Travelling speed at full load	ft/m	39.4	39.4	39.4	39.4	39.4	39.4	39.4	39.4
	m/min	12	12	12	12	12	12	12	12
Travelling speed without load	ft/m	44.3	44.3	44.3	44.3	44.3	44.3	44.3	44.3
	m/min	13.5	13.5	13.5	13.5	13.5	13.5	13.5	13.5
Air consumption – Trolley	cfm	46	46	46	92	92	92	184	184
	m ³ /min	1.3	1.3	1.3	2.6	2.6	2.6	5.2	5.2
Air consumption – Hoist	cfm	113.2	113.2	141.5	194.6	194.6	194.6	389.1	389.1
	m ³ /min	3.2	3.2	4	5.5	5.5	5.5	11	11
Air connection		G ³ / ₄	G ³ / ₄	G ³ / ₄	G1 ¹ / ₂	G1 ¹ / ₂	G1 ¹ / ₂	G1 ¹ / ₂	G1 ¹ / ₂
Hose dimension	inch.	0.8	0.8	0.8	1.4	1.4	1.4	1.4	1.4
	mm	19	19	19	35	35	35	35	35
Weight with standard lift height and control length	lbs	992.1	1267.7	1366.3	2093.5	3195.3	3922.5	8814.7	12560.9
	kg	450	575	620	950	1450	1780	4000	5700
Chain dimension	inch.	0.6 x 1.8	0.6 x 1.8	0.6 x 1.8	0.9 x 2.6	0.9 x 2.6	0.9 x 2.6	1.2 x 3.5	1.2 x 3.5
	mm	16 x 45	16 x 45	16 x 45	23.5 x 66	23.5 x 66	23.5 x 66	32 x 90	32 x 90
Weight of 1 m chain	lbs	12.8	12.8	12.8	26.9	6.9	6.9	46.9	46.9
	kg	5.8	5.8	5.8	12.2	12.2	12.2	21.3	21.3
Standard lift	ft	10	10	10	10	10	10	10	10
	m	3	3	3	3	3	3	3	3
Length of control at standard lift	ft	6.5	6.5	6.5	6.5	6.5	6.5	6.5	6.5
	m	2	2	2	2	2	2	2	2
Noise level at full load ¹ with standard silencer – lifting	dB(A)	78	78	80	83	83	83	88	88
Noise level at full load ¹ with standard silencer – lowering	dB(A)	80	80	84	83	83	83	89	89

Group mechanism: EH 10 - EH 50 M3 (1 Bm), EH 75 and EH 100 M2 (1 Cm)

¹ Measured at 1 m distance acc. to DIN 45635 part 20



J. D. NEUHAUS
powered by air!