

# JDN AIR HOISTS M SERIES

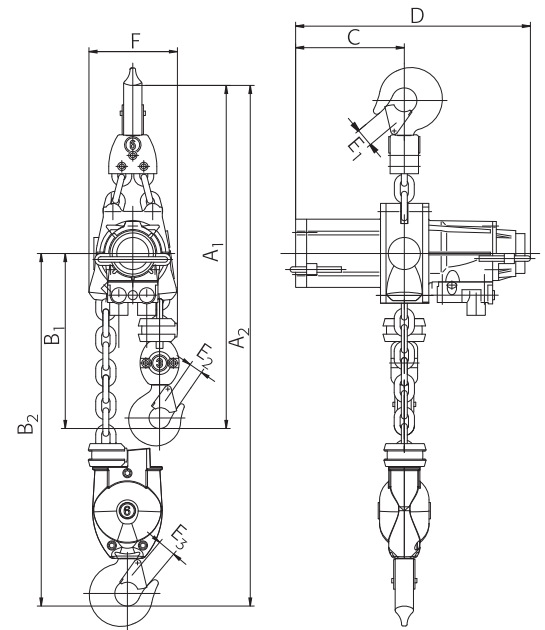
Carrying capacities: 1 t up to 6 t

Air pressure: 4 bar

JDN Air Hoists of the **M series** were originally developed for underground mining operations. Due to their versatility they are nowadays also deployed in many different industrial fields. Generally they have the same features as the hoists of the PROFI series but operate with an air pressure of only 4 bar. Two different control systems are available.

### FURTHER SIGNIFICANT FEATURES AS STANDARD:

- Suitable for use in hazardous areas with risk of explosion
- Two chain falls for alternate working
- Specially designed for horizontal moving of loads



M 63 D

### TECHNICAL DATA

Type		M 64	M 63 D
Carrying capacity	mt	1/2	3/6
Number of chain strands		1/2	1/2
Motor output	kW	0.77	1.3
Air pressure	PSI bar	65 4	65 4
Lifting speed at full load*	ft/min m/min	9.8/4.9 3/1.5	7.2/3.6 2.2/1.1
Lifting speed without load*	ft/min m/min	26.3/13.1 8/4	16.4/8.2 5/2.5
Lowering speed at full load*	ft/min m/min	41/21.3 12.5/6.5	19.7/9.8 6/3
Air consumption at full load - lifting	cfm m <sup>3</sup> /min	35.3 1.0	77.7 2.2
Air consumption at full load - lowering	cfm m <sup>3</sup> /min	70.6 2.0	113 3.2
Air connection		Rd 32 x 1/8"	Rd 32 x 1/8"
Hose dimension (Ø inside)	inch. mm	0.75 19	0.75 19
Weight with standard lift height and control length	lbs kg	132.3 60	220.5 100
Weight without chain, without control	lbs kg	68.3 31	112.4 51
Chain dimension	mm	9 x 27	13 x 36
Weight of 1 m (3.28 ft) chain	lbs kg	4 1.8	8.4 3.8
Heights of lift	ft m	16.4/8.2 5/2.5	16.4/8.2 5/2.5
Length of control	ft m	6.6 2	6.6 2
Noise level at full load <sup>1</sup>	dB(A)	75 - 84	79 - 83

Group mechanism: M3 (1 Bm)

<sup>1</sup> Measured at 1 m distance acc. to DIN 45635 part 20

### DIMENSIONS

Type		M 64	M 63 D
A <sub>1</sub> (smallest headroom with 1/1 chain strands)	inch. mm	23.7 603	29.5 750
A <sub>2</sub> (smallest headroom with 1/2 chain strands)	inch. mm	26 660	34.3 870
B <sub>1</sub> (with 1/1 chain strands)	inch. mm	12.3 313	14.6 370
B <sub>2</sub> (with 1/2 chain strands)	inch. mm	14.6 370	19.3 490
C	inch. mm	6.9 175	9.33 237
D	inch. mm	14.8 375	20 507
E <sub>1</sub> (Hook opening)	inch. mm	1.2 30	1.6 40
E <sub>2</sub> (Hook opening)	inch. mm	1.2 30	1.6 40
E <sub>3</sub> (Hook opening)	inch. mm	1.2 30	1.2 30
F (maximum width)	inch. mm	5.7 144	7.7 195