

Sheave block for rope guidance, equipped with ball bearings model DSRB S

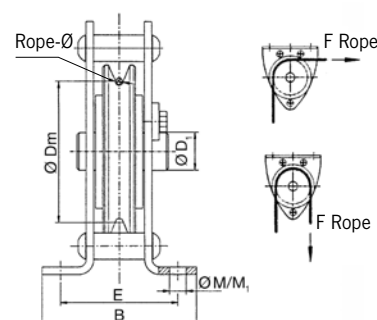
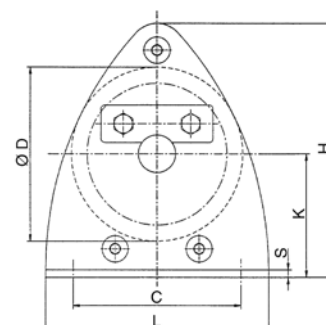
Technical data model DSRB

Model	Art.-No.	Classification FEM/ISO	Pulling force in kg at deflection 90°	Pulling force in kg at deflection 180°	Rope diameter mm
DSRB S 90/4	033447103	2m/M5	700	500	3-4
DSRB S 90/6	033447413	1Dm/M1	700	500	5-6
DSRB S 145/7	033447106	1Am/M4	1100	800	7
DSRB S 185/8	033447107	2m/M5	2300	1630	8
DSRB S 270/12	033447111	2m/M5	2500	1800	9-12
DSRB S 400/16	033447113	3m/M6	5000	3800	13-16
DSRB S 490/20	033447115	3m/M6	8000	6000	20

All sheaves are available as an individual component on request.

Dimensions model DSRB

Model	DSRB S 90/4	DSRB S 90/6	DSRB S 145/7	DSRB S 185/8	DSRB S 270/12	DSRB S 400/16	DSRB S 490/20
Art.-No.	033447103	033447413	033447106	033447107	033447111	033447113	033447115
B, mm	85	85	125	138	191	302	313
C, mm	90	90	160	195	290	430	580
Ø D, mm	90	90	145	185	270	400	490
Ø D1, mm	20	25	25	30	40	50	65
Ø Dm, mm	80	78	126	160	246	368	450
E, mm	62	62	88	106	138	212	220
H, mm	134	134	224	273	407	612	694
K, mm	65	65	110	135	202	310	340
L, mm	120	120	200	245	360	530	650
Ø M/M1, mm	9/9	9/9	11.5/13	13.5/15	18/20	26/30	34/40
S, mm	4	6	6	8	10	15	16



Standard ropes for Pfaff-silberblau manual winches

According to DIN 3060

Article-numbers

Rope diameter	Breaking load of rope min. kN	Useable rope length 5 m	Useable rope length 10 m	Useable rope length 15 m	Useable rope length 20 m	Capacity clevis end kg
4 mm - DIN 3060	10.1	033600405	033600410	033600415	033600420	500
5 mm - DIN 3060	15.8	033600505	033600510	033600515	033600520	1000
6 mm - DIN 3060	22.8	033600605	033600610	033600615	033600620	1000
7 mm - DIN 3060	31.0	033600705	033600710	033600715	033600720	1000
7 mm - DIN 3069*	43.9	-	-	033601715	-	1600

*Rope with increased breaking load for model LB 1200 kg

Additional accessories available on request.