



**STAINLESS STEEL WIRE ROPE PULLEYS**

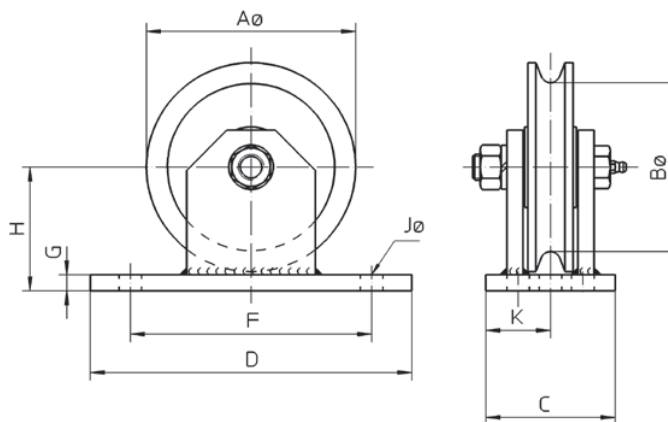
A 500 kg rope pulley complete with bracket, in stainless steel, for use in aggressive environments.



Product code	PT5-SS500KG
Capacity	500 kg
Materials	Stainless Steel V2A
Wire rope diameter	5-6mm
Weight	2 kg

**DIMENSIONS (mm)**

Capacity (kg)	500
A	100
B	80
C	60
D	150
F	100
G	10
H	62
J	14
K	30



**ETT-170 PULLEY COMPLETE WITH BRACKET - FOR WIRE ROPE**

Material - galvanized cast pulley with bearing - pressed steel bracket

Product code			ETT - 170-50	ETT - 170-60	ETT - 170-80	ETT - 170-100	ETT - 170-120	ETT - 170-150
Diameter of pulley	D	mm	50	60	80	100	120	150
Rope diameter	Ø	mm	2,5	3	4	4	5	6,5
Load capacity		kg	100	100	200	300	400	500
Screw fixing plate		mm	90x35	100x40	130x50	145x50	185x60	230x80
Size	A	mm	74	84	112	132	160	200
Size	B	mm	20	24	32	32	40	56
Size	C	mm	26	26	35	40	47	55
Mounting hole	Ø	mm	5	5	6	6	8	10
Weight per item		kg	0,25	0,35	0,7	0,9	1,5	2,8

