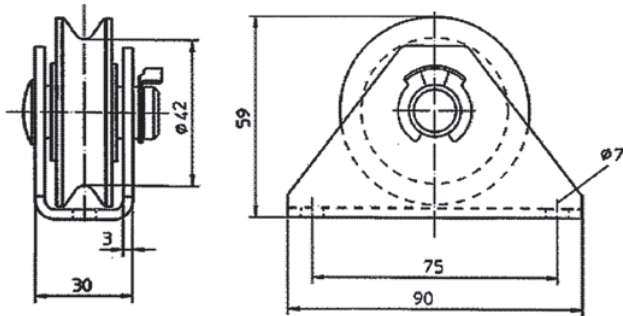




## PULLEY TYPE PTM - FOR WIRE ROPE

Simple low cost pressed bracket with polyamid pulley.  
steel or stainless steel options.

Product code	Max capacity (kg)	Rope dia $\phi$ (mm)	Weight (kg)	Rope pulley material	Bracket material
PTM-125G	125	2-4	0.25	Polyamid	Steel, zinc coated
PTM-125SS	125	2-4	0.25	Polyamid	Stainless steel

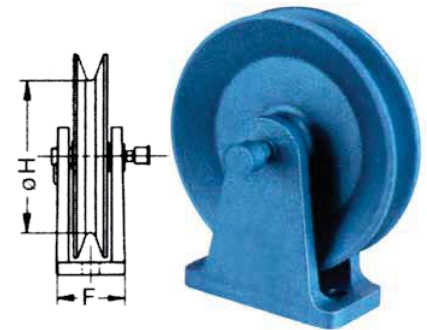
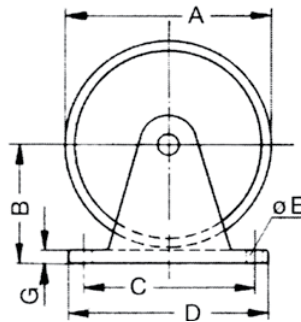


## PULLEY TYPE 2 - WITHOUT BUSH - FOR WIRE ROPE

Cast iron without bush assembly into brackets.

52

Product code	WZ100A1	WZ100A2	WZ100A3
Capacity (kg)	50-125	250-500	500-1000
Wire rope diameter (mm)	3-6	6-8	8-12
A (mm)	140	200	250
B (mm)	85	120	145
C (mm)	100	100	210
D (mm)	128	140	245
E (mm)	14	14	22
F (mm)	64	78	84
G (mm)	9	13	17
H (mm)	100	140	185
Weight (kg)	2.5	5.5	12.5



## PULLEY TYPE ETT 116 COMPLETE WITH BRACKET - FOR WIRE ROPE

Material - Polyamide pulley with bearing, galvanized steel bracket

Product code	ETT - 116 P-50	ETT - 116 P-60	ETT - 116 P-80	ETT - 116 P-100
Diameter of pulley (mm)	50	60	80	100
Rope diameter $\phi$ (mm)	3	4	5	5
Capacity (kg)	60	70	100	150
A (mm)	41	43	48	54*
B (mm)	20	20	24	42
H (mm)	56	66	88	107
Mounting hole $\phi$ (mm)	5	5	6	6
Weight (kg)	0,14	0,18	0,3	0,5

