



# Rope Pulleys

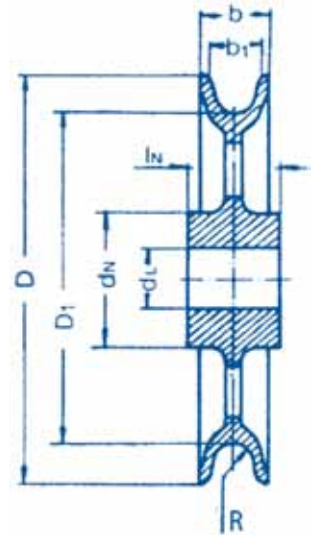


## Type 1a - With Bronze Bush

Cast iron with bronze bush for assembly into brackets.

### Specification & dimensions (mm)

Capacity (kg)	500	1000	2000	3000
D	100	125	150	200
D1	80	100	125	170
dL	19	22	30	40
dB	26	29	38	50
dN	40	42	60	70
IN	23	24	29	40
b	21	22	26	37
b1	14	16	18	26
R	6	6.5	7	10
Max rope diameter	10	12	13	18
Weight (kg)	0.6	0.9	1.7	3.7

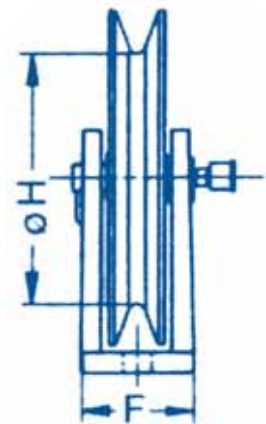
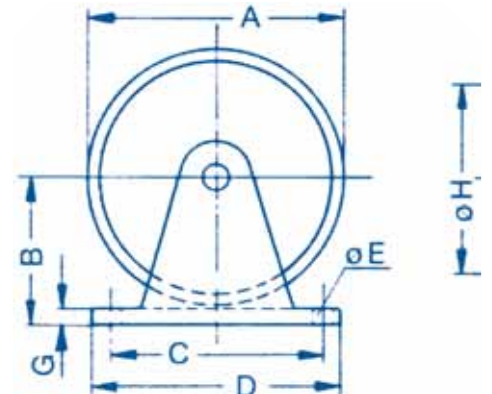


## Type 2 - Without Bush

Simple inexpensive design for use with manual winches only. Material - cast iron with plain bearing and grease nipple. Complete with fixing bracket.

### Specification & dimensions (mm)

Capacity (kg)	250	750	1000
Capacity 90° rope diversion (kg)	125	500	750
Wire rope diameter (mm)	3-6	6-8	8-12
A	140	200	250
B	85	120	145
C	100	100	210
D	128	140	245
E	14	14	22
F	64	78	84
G	9	13	17
H	100	140	185
Weight (kg)	2.5	5.5	12.5





# Rope Pulleys

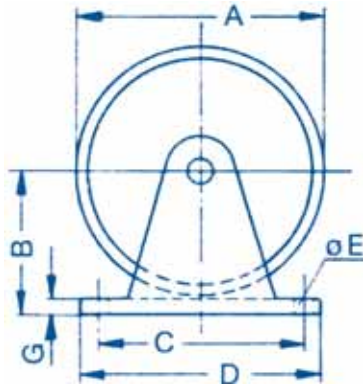


## Type 3 - With Bracket

Simple design for use with manual or electric winches.  
Made from cast iron with bronze bush.

Bearing bracket: designed so that when the cable is guided between the pulley and the bracket, the wire cable can not jump or become trapped when slack cable builds up.

Cable exit: can exit vertically downwards, even if roller bracket is upright.



### Specification & dimensions (mm)

Max cable load	WZ 20.5	WZ 21	WZ 22	WZ 22.5	WZ 23	WZ 23.5	WZ 24	WZ 25
Manual Operation	150	250	500	750	1000	1500	2000	3200
Power [1]	751	25	250	375	500	750	1000	1600
Power [2]	100	180	320	500	630	1000	1250	2000
Cable Dia (mm)	3 - 4	4 - 5	5 - 6	6 - 8	8 - 10	10 - 12	12 - 14	14 - 16
Diameter (mm)	90	120	150	190	235	280	325	375
Weight	1.3	1.8	3.0	5.7	10.0	15.0	24.0	46

[1] - 180° cable deflection [2] - 90° cable deflection

		WZ 20.5	WZ 21	WZ 22	WZ 22.5	WZ 23	WZ 23.5	WZ 24	WZ 25
ø	a	90	120	150	190	235	280	325	375
ø	b	72	100	125	160	200	240	280	320
	g	44	50	55	65	70	80	95	95
	h	62	70	88	120	150	180	212	240
	i	66	74	82	95	108	120	143	185
	k	84	92	115	150	187	220	260	300
	l	10	13	15	17	20	22	25	22
	m	57	75	92	115	138	164	190	212
ø	n	9	11.5	11.5	14	18	18	23	26

## Stainless Steel Wire Rope Pulleys

A 500 kg rope pulley complete with bracket, in Stainless Steel, for use in aggressive environments.



### Dimensions (mm)

Capacity (kg)	500
A	100
B	80
C	60
D	150
F	100
G	10
H	62
J	14
K	30

### Specification

Capacity	500 kg
Materials	Stainless Steel V2A
Wire rope diameter	5-6mm
Weight	2 kg

