

HAND WINCH TYPE G-WG



Worm geared general purpose winch

- Robust and safe lifting winch
- Square worm-wormwheel transmission with maintenance free bearings
- Adjustable crank, with ergonomic plastic grip
- Easy to grease worm gearbox
- Load pressure brake with double ratchet system
- Painted or zinc-plated finish
- Optional conversion bracket, CB250, 500 or 1000, to match mounting holes of the previous WG-series
- Grooved drum as option
- 2 cable compartments multi compartment possible upon request
- In compliance with DIN 15020



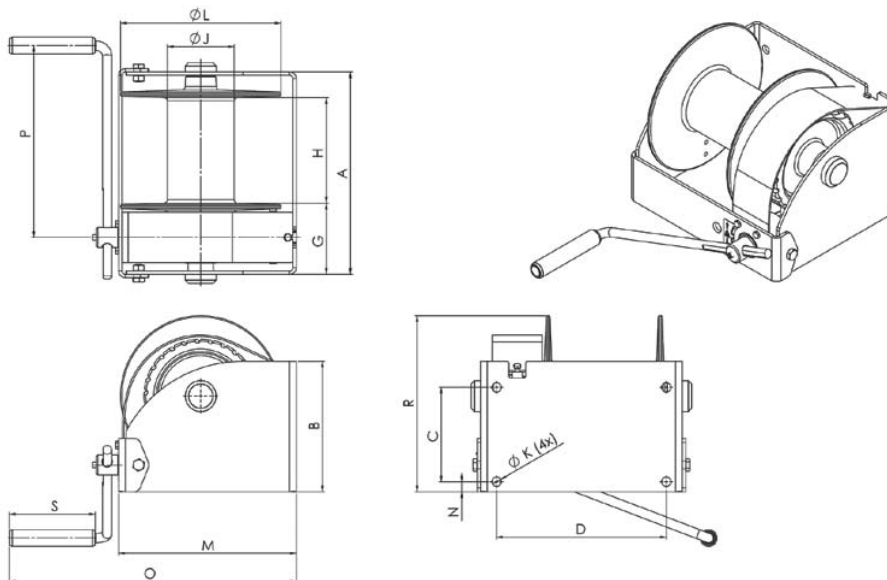
Options:

- As standard RAL 7044 (Silk grey) or Zinc plated (optional)

| Product code | WG250 | WG500 | WG1000 | WG1500 | WG2000 | WG3000 | WG5000 |
|--|-------|-------|--------|--------|--------|--------|--------|
| Lifting capacity - 1st cable layer (kg) | 250 | 500 | 1000 | 1500 | 2000 | 3000 | 5000 |
| Lifting capacity - last cable layer (kg) | 95 | 239 | 542 | 845 | 1129 | 1861 | 3165 |
| Required effort (kg) | 6 | 10 | 13 | 21 | 9/18 | 12/24 | 25/50 |
| Lift per crank turn, 1st layer (mm) | 17 | 20 | 13 | 9 | 11/21 | 8/16 | 9/18 |
| Rope capacity 1st layer (m) | 3.1 | 4.4 | 5.2 | 5.4 | 5 | 5.6 | 5.3 |
| Rope capacity total (m) | 67 | 67 | 58 | 50 | 48 | 42 | 42 |
| Rope diameter (mm) | 5 | 6 | 9 | 10 | 13 | 16 | 20 |
| Weight (kg) | 13 | 16 | 29 | 28 | 60 | 78 | 115 |

DIMENSIONS (mm)

| Type | A | B | C | D | G | H | J | K | L | M | N | O | P | R | S |
|--------|-----|-----|-----|-----|-----|-----|-----|----|-----|-----|-----|-----|-----|-----|-----|
| WG250 | 238 | 145 | 100 | 192 | 106 | 102 | 48 | 14 | 160 | 191 | 15 | 354 | 280 | 171 | 130 |
| WG500 | 269 | 160 | 115 | 223 | 107 | 131 | 70 | 14 | 190 | 221 | 15 | 384 | 325 | 192 | 130 |
| WG1000 | 302 | 195 | 141 | 254 | 110 | 160 | 102 | 14 | 240 | 266 | 15 | 429 | 350 | 264 | 130 |
| WG1500 | 302 | 250 | 178 | 254 | 111 | 160 | 102 | 14 | 240 | 278 | 15 | 441 | 350 | 306 | 130 |
| WG2000 | 410 | 295 | 196 | 360 | 137 | 180 | 133 | 25 | 312 | 208 | 249 | 740 | 380 | 419 | 250 |
| WG3000 | 436 | 256 | 251 | 386 | 137 | 205 | 165 | 25 | 376 | 260 | 308 | 825 | 380 | 550 | 250 |
| WG5000 | 436 | 421 | 316 | 386 | 138 | 200 | 219 | 25 | 437 | 298 | 335 | 865 | 380 | 613 | 250 |





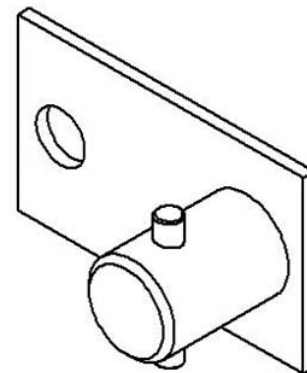
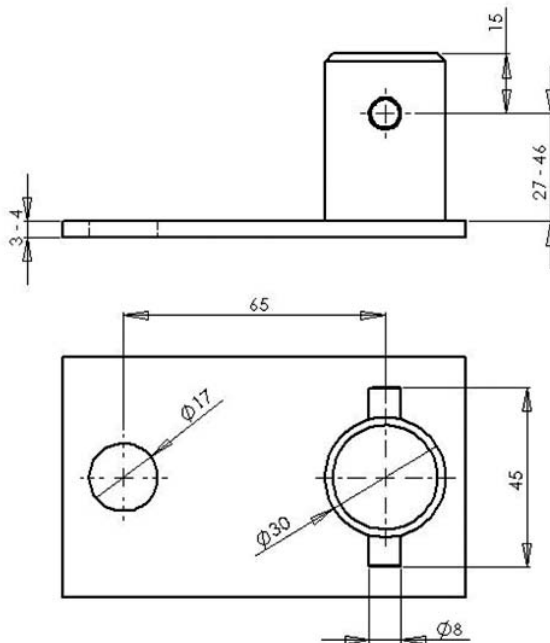
ADDITIONAL PNEUMATIC DRIVE FOR G-WG WINCHES

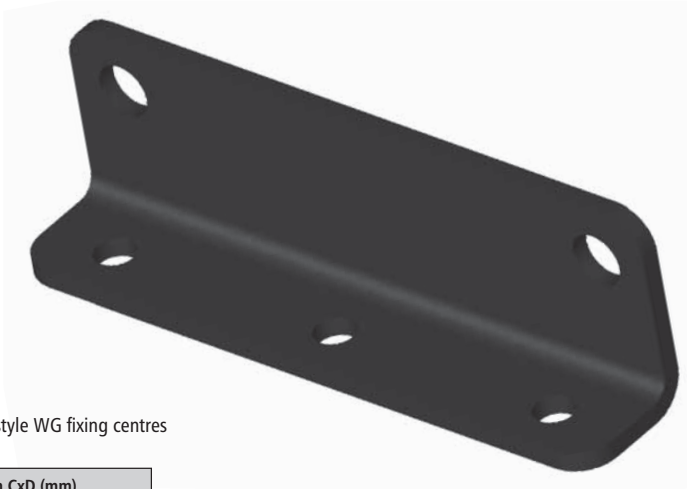
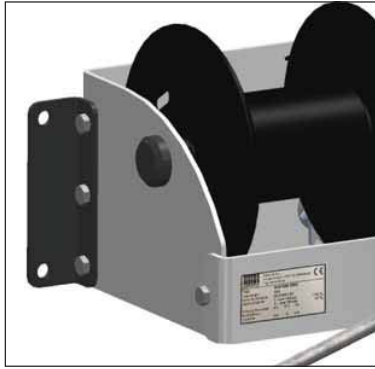


- Robust air motor
- Easy to operate joystick
- One-hand operation possible
- Suitable to use with the following winches manufactured from august 2006:
G-WG1500, G-WG2000, G-WG3000, G-WG4000, G-WG5000, Pneumatic drive can be used with winches manufactured pre August 2006 with a small alteration (please ask for details)
- Variable hoisting speed - adjustable via hand joystick.

| Product code | WG-PND |
|------------------------------|------------------------|
| Air pressure | Max 6 bar |
| Free speed | ca.65 rpm |
| Speed at max. power (100 Nm) | ca.35 rpm |
| Air consumption at max power | 0,93 m ³ /m |
| Dimension L x H x B | 395 x 150 x 115 mm |
| Weight | 5kg |

42





- Conversion plate converts the new style winch to old style WG fixing centres

| Bracket | Mounting holes dimension CxD (mm) WG-winch including conversion bracket |
|---------|--|
| CB250 | 82 x 261 |
| CB500 | 106 x 281 |
| CB1000 | 141 x 316 |



HAND WINCH TYPE G-WG OPTIONS



Standard winch



Electro - Zinc Plated



Split drum option

Grooved drum option

