

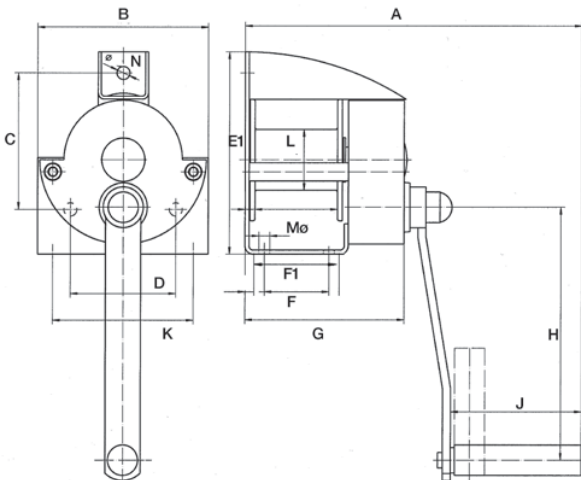


## HAND WINCH TYPE HA-WV, HA-KV



Base or wall mounting (KV)

Wall mounting (WV)



Lifting capacity 300 kg or 500 kg

- Compact, modern, braked winch - for wall mounting (WV), base or wall mounting (KV)
- Innovative winch with large rope capacity
- Corrosion resistant zinc plated with fully enclosed gears and brake encased in plastic cover
- Self locking internal brake with proven security concept
- Lightweight and compact
- Folding Crank
- Quiet in operation
- Available in 2 versions – wall mounting (WV) or base mounting with mounting frame (KV)
- **Stainless Steel version available see page 46**

Product code WV (wall mounting)	HA-WV300	HA-WV500
Product code KV (base or wall mounting)	HA-KV300	HA-KV500
Lifting capacity 1st layer (kg)	300	500
Lifting capacity last layer (kg)	185	300
Rope diameter (mm)	4	5
Rope capacity 1st layer (m)	3.4	2.6
Rope capacity total (m)	29	22
Number of layers	6	6
Ratio	3.1:1	4.5:1
Lift per crank turn (mm)	64	46
Required effort (kg)	16	20
Duty class to DIN 15020	1Em	1Em
Weight (kg)	5	5

### DIMENSIONS (mm)

Capacity (kg)	300	500
A	337	337
B	170	170
C	135	135
D	105	105
E1	200	200
F	83	83
F1	65	65
G	160	160
H	250	250
J	130	130
K	140	140
L	60	60
Mø	11	11
Nø	13	13