

Screw clamp for lifting and pulling model TSD

Capacity 1500 - 7500 kg

The TSD screw clamp is a valuable asset when lifting, pulling and fitting sheet material as well as steel constructions.

The spindle is closed only finger tight.

When the screw clamp is tightened and lifting begins, the pivoting pad clamping system produces a wedging action against the material, holding it securely.



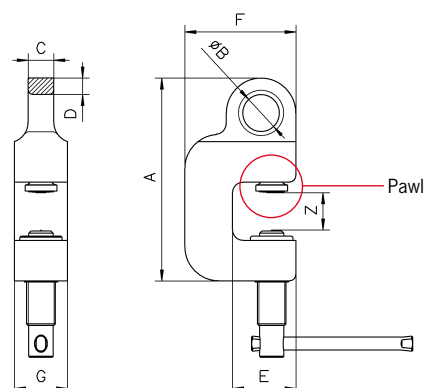
The plate surface of the material must not exceed a hardness level of HRC 50.

Technical data model TSD

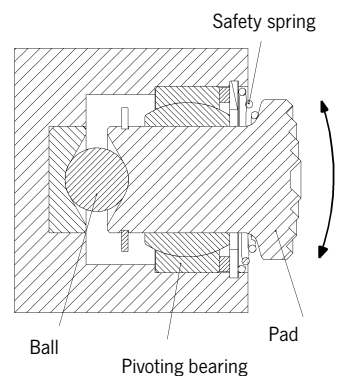
Model	EAN-No. 4025092*	Capacity kg	Jaw capacity Z mm	Weight kg
TSD 1.5	*550598	1500	0 - 35	4.8
TSD 3.0	*550864	3000	0 - 35	8.1
TSD 5.0	*551717	5000	0 - 40	14.5
TSD 7.5	*550987	7500	0 - 40	18.1

Dimensions model TSD

Model	TSD 1.5	TSD 3.0	TSD 5.0	TSD 7.5
A, mm	191	235	275	295
Ø B, mm	35	46	55	65
C, mm	24	34	40	50
D, mm	16	17	18	22
E, mm	60	67	85	92
F, mm	105	120	150	162
G, mm	50	60	75	80



Model TSD



Functional drawing pivoting pad